

## Cim 75

### BRONZE GLOBE VALVE METAL TO METAL SEATING



This article was made in compliance with the quality management requirements of standard ISO 9001:2008. All articles are tested according to the standard EN 12266-1:2003.

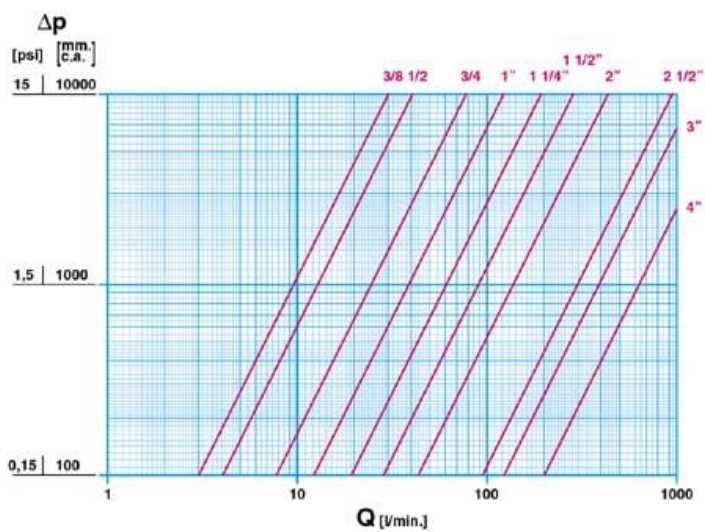
It can be used in a wide variety of sectors and in any industrial or agricultural application where a regulation is required: heating, water, sanitary systems, pneumatic systems, saturated steam, oil, gasoline and other hydrocarbons and generally with any non corrosive liquid. It is guaranteed for 5 years.

It is made of a bronze alloy that complies with standard EN 1982-CC491K.

Nominal Pressure: PN16

Operating temperature:  $-10 \div 170^{\circ}\text{C}$

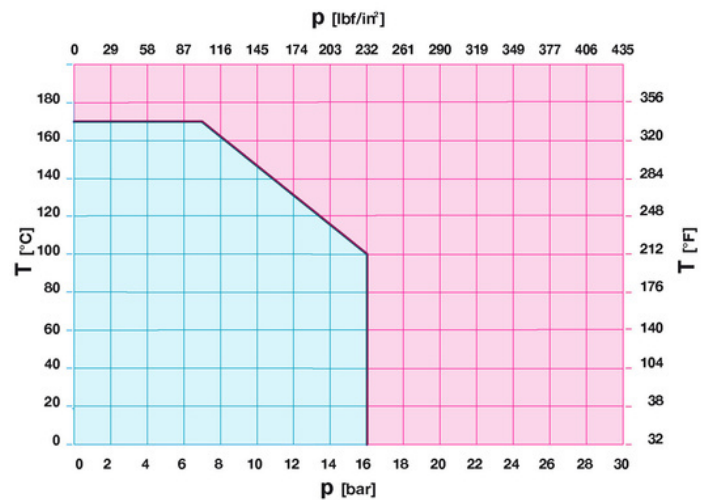
### FLOW AND PRESSURE DROP



Notes:

- 1 l/min = 0,06 m<sup>3</sup>/h
- 1 m<sup>3</sup>/h = 16,67 l/min
- 1 bar = 10.000 mm w.c.
- 1 psi = 690 mm w.c.

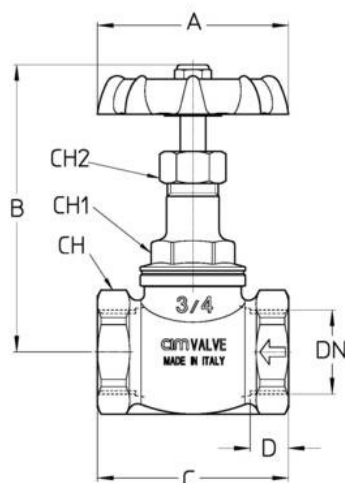
### PRESSURE TEMPERATURE RATINGS



Notes:

- 1 bar = 14,5 psi
- 1 bar = 14,5 lbf/in<sup>2</sup>
- $^{\circ}\text{C} = 5/9 \times (^{\circ}\text{F} - 32)$
- $^{\circ}\text{F} = 32 + (9/5 \times ^{\circ}\text{C})$

## TECHNICAL DRAWING



DN	3/8"	1/2"	3/4"	1"	1"1/4	1"1/2	2"	2"1/2	3"	4"
<b>Grms.</b>	<b>225</b>	<b>295</b>	<b>440</b>	<b>635</b>	<b>980</b>	<b>1280</b>	<b>1900</b>	<b>3930</b>	<b>5055</b>	<b>10500</b>
A	50	55	60	65	65	75	80	120	120	175
B	76	79	90	100	116	130	144	202	223	280
C	45	50	60	70	84	90	110	135	148	190
D	9	11	12	14,5	15,5	16	18	23	22	23
CH	25	27	35	42	51	58	70	88	100	129
CH1	21	23	23	28	33	37	45	55	63	80
CH2	17	18	18	21	23	25	27	37	39	50

## TECHNICAL CHARACTERISTICS

KV										
DN	3/8"	1/2"	3/4"	1"	1"1/2	1"1/4	2"	2"1/2	3"	4"
KV	1,8	2,3	4,8	7	11	17	25	57	72	120

KV = Capacity in m<sup>3</sup>/h at pressure drop of 1 bar

KVS = Water flow generated by a pressure loss of 1 bar measured on the test points.

## CERTIFICATIONS

